

Recommended 200 Amp Underground Service

This is to be used only as an illustration.

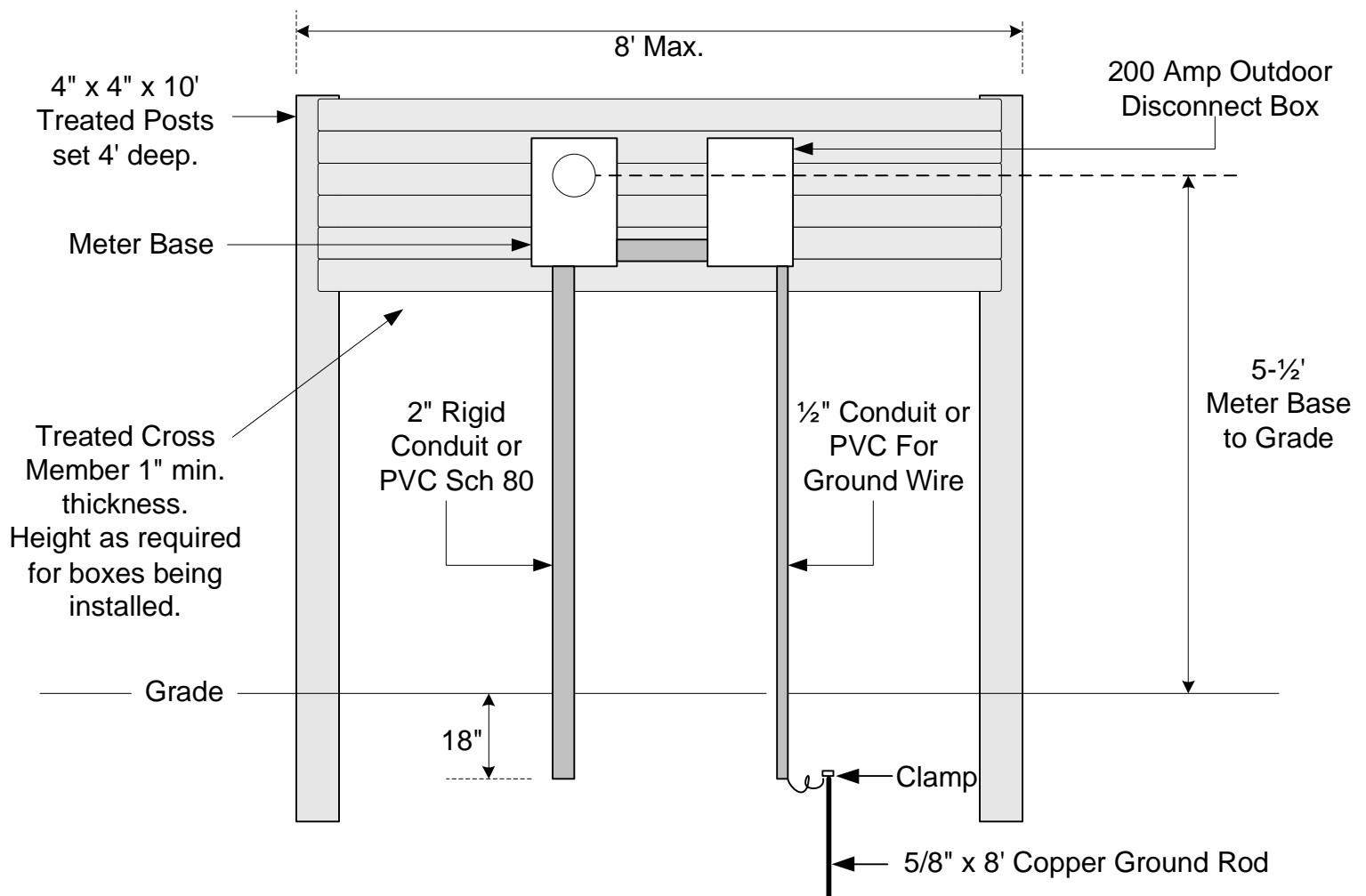
All Wiring should be in accordance with National Electric Code.

Meter Base - Made Available by Parke County REMC

Disconnect Box - Provided by Customer

Installed - by Wireman

1. Apply Aluminum Electrical Joint compound to all conductors BEFORE installing in terminals.
2. For a 200 amp box run 3/0 copper or 4/0 aluminum in 2" Ridgid conduit or PVC Sch 80. Neutral may be reduced to 2/0.
3. **Ground the Breaker Box** Not the Meter Base. 200 Amp - #4 Bare Copper ground wire.
4. Install 5/8" x 8' Ground Rod.
5. RHW or THW insulation is recommended.
6. 200 Amp is the minimum for underground service.
7. Minimum trench depth is 32 inches.



Gene Baxter - Staking Coordinator

Parke County Rural Electric Membership Corporation
119 W. High Street, Rockville, IN 47872-1735
Telephone: (765) 569-3133 (800) 537-3913 Fax: (765) 569-3360
E-mail: gbaxter@pcremc.com Web Page: pcremc.com
Revised 01/07/09